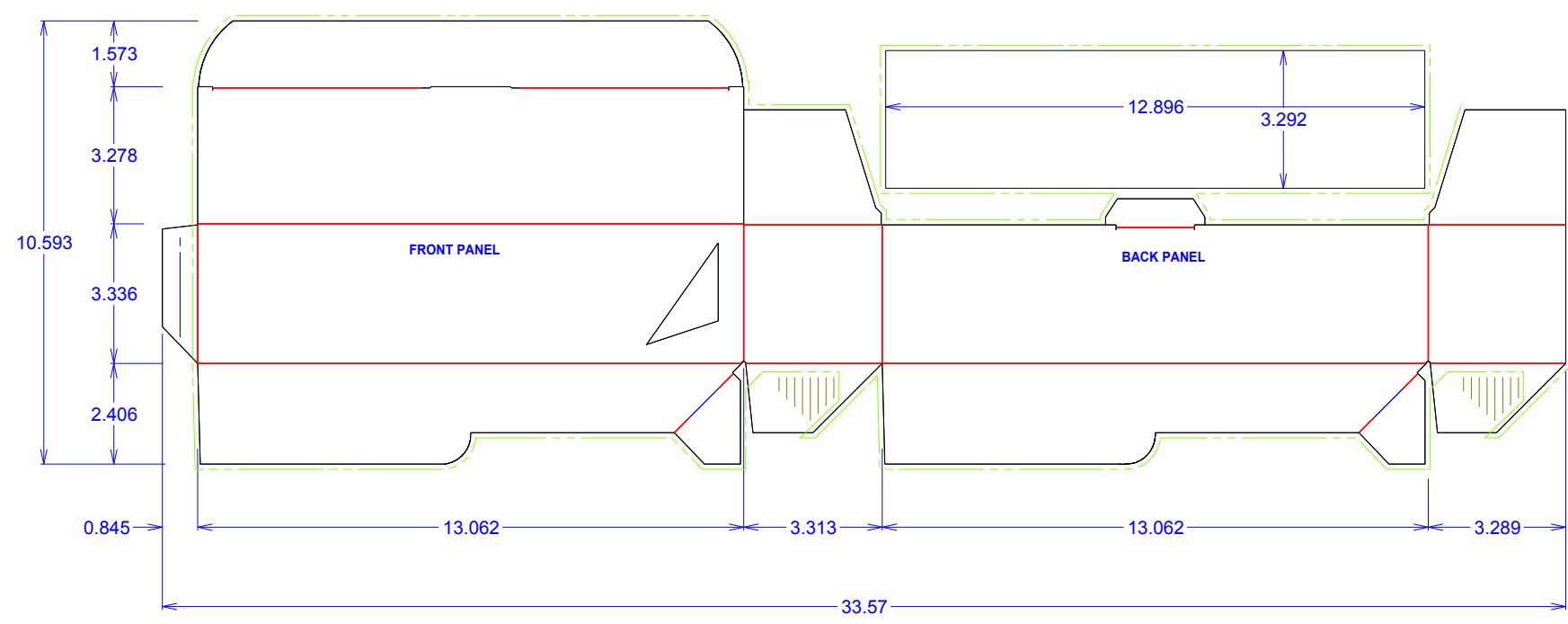


## CUSTOMER DESIGN



↔  
GRAIN DIRECTION

REFERENCE:	CREME BRULEE (AVEC CARTE 13634)	MATERIAL:	0.024 CCNB	NUMBER OF PANELS:	
STYLE:	Commercial boxes	OPEN BLANK:	10.596 x 33.5705	NUMBER OF TRAY:	
SIZE:	13.063 x 3.31 x 3.31	RULE LENGTH:	441.023	TRAY POSITION:	
		DATE:	09/05/2014	NUMBER OF POCKET:	
		DRAWN BY:	P.P.	STYLE OF POCKET:	